

Float valve

EDRV

PN-16
DN65~DN150



Float valve

When the water level in the tank drops, the float opens water flows from the main valve to the tank. The float closes and the main valve close when the water level reached required limit.

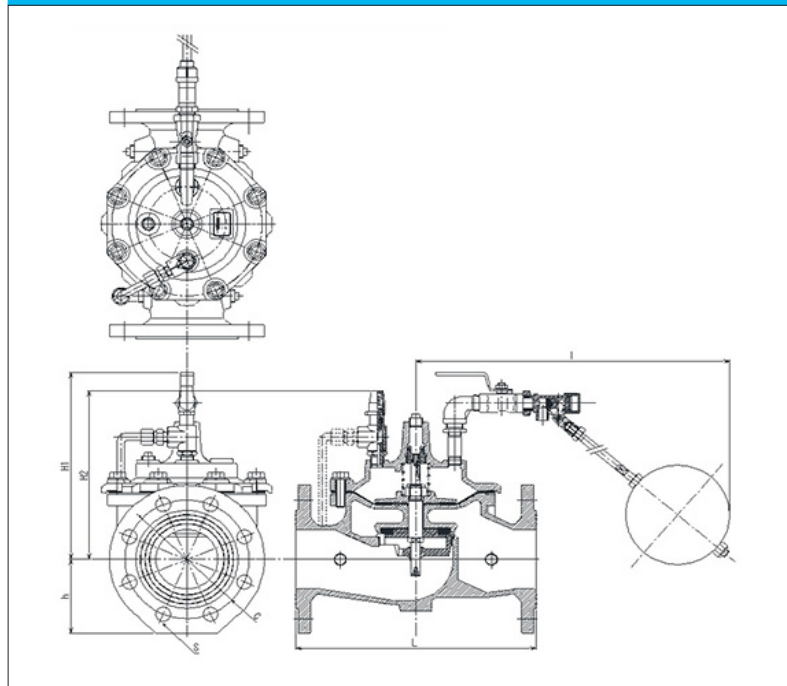
Feature

- Ease to use due to design simplicity.
- It is easy to install and maintain.

Specification

Model		EDRV
Sizes(mm)		65 ~ 150
Application Fluid		Water,Warm Water
Fluid Temperature		5 ~ 60°C
Applicable Inlet Pressure		Under 1.6MPa
Connection		BS4504-3.2 PN16RF Flange (GB/T9113.1, EN1092-1)
Material	Body	FCD450
	Main Part	Seat : SCS13A Diaphragm, Shield Ring : NBR
	Float	SCS13A etc.

Structure



Unit : mm

Dimension

Nominal Dia.(mm)	L	H1	H2	h	l	C	S
65	290	(251)	(266)	92.5	(562)	145	4-φ19
80	310	(252)	(227)	100	(572)	160	8-φ19
100	350	(274)	(249)	110	(578)	180	8-φ19
125	400	(301)	(276)	125	(592)	210	8-φ19
150	480	(356)	(331)	145	(599)	240	8-φ22

Note: The content of this catalog is subject to change without prior notice.

Agent

TOZEN Corporation

8-4, Asahi, Yoshikawa
Saitama 342-0008 Japan