

WAFER TYPE BUTTERFLY VALVE

SPECIFICATION

SUITABLE TO MULTI STANDARD
FACE-TO-FACE DIMENSION TO BS 5155 / BS EN 558-1 Sr.20
LEVER / WORM GEAR OPERATOR

PRESSURE / TEMPERATURE RATINGS

Working Pressure	16 bar
Testing Pressure	Shell: 1.5 times Seat: 1.1 times
Working Temperature	-20°C to 110°C (EPDM Seat) -10°C to 80°C (NBR Seat)
Suitable Media	Water & Oil

MATERIALS

Part	Material	BS EN *
Body	Cast Iron	1561 GJL-250
	Ductile Iron	1563 GJS-400-18
Disc	Ductile Iron	1563 GJS-400-18
	Aluminium Bronze	1982 CC491K
	Stainless Steel 304	10283 GX5CrNi19-10
	Stainless Steel 316	10283 GX5CrNiMo19-11-2
Seat Ring	EPDM	
	NBR	
Shaft	Stainless Steel 410	10088-3 X12Cr13
	Stainless Steel 431	10088-3 X17CrNi16-2
O-Ring	NBR	
Bushing	Resin	

*: Indicates the corresponding equivalent standard material for ASTM.

DIMENSIONS

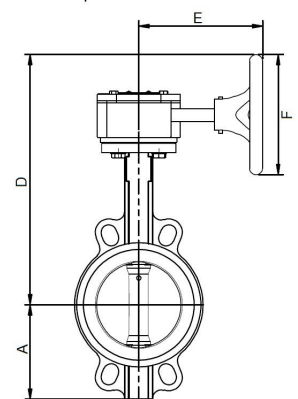
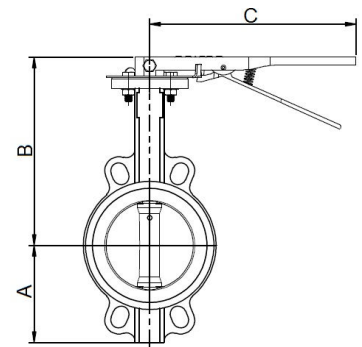
Unit: mm

Size	L	A	B	C	D	E	F
50	43	66	183	215	270	150	145
65	46	78	193	215	280	150	145
80	46	99	201	215	288	150	145
100	52	115	226	235	310	150	145
125	56	131	242	260	323	150	145
150	56	145	257	260	338	150	145
200	60	173	301	355	450	210	280
250	68	210	342	355	491	210	280
300	78	242	387	355	536	200	280
350	78	270	-	-	561	200	280

BFV-W

PN16

DN50~DN350



SPECIFICATION

SUITABLE TO MULTI STANDARD
FACE-TO-FACE DIMENSION TO BS 5155 / BS EN 558-1 Sr.20
DOUBLE-STAGE WORM GEAR OPERATOR

PRESSURE / TEMPERATURE RATINGS

Working Pressure	16 bar (400mm ~ 600mm) 10 bar (700mm ~ 1200mm)
Testing Pressure	Shell: 1.5 times Seat: 1.1 times
Working Temperature	-20°C to 110°C (EPDM Seat) -10°C to 80°C (NBR Seat)
Suitable Media	Water & Oil

DIMENSIONS

Unit: mm

Size	L	A	D	E	F
400	102	307	680	243	280
450	114	336	706	243	280
500	127	373	747	243	280
600	154	429	885	296	385
650	165	468	880	296	385
700	165	523	1016	336	420
750	190	546	1032	336	420
800	190	581	1057	336	420
900	203	638	1108	357	420
1000	216	705	1196	357	420
1100	254	780	1285	450	420
1200	254	846	1397	450	420

Note:

1. Size 50mm~500mm are suitable for JIS10K, PN10, PN16 & ANSI Class 125, size 600mm & above are available for PN10/PN16 & ANSI Class 125.
2. Actuator mounting flange conforms to ISO 5211 drilling.
3. The butterfly valve can be supplied with electric actuator.
4. Micro switch / limit switch box are available upon request.
5. Gear operated with chain wheel are available upon request.
6. Design and specifications are subject to change without prior notice.

BFV-W

PN16

DN400~DN600

PN10

DN700~DN1200

