

Fluoropolymer flexible joint Straight Type

# INTERFLEX

Fluoropolymer straight hose strengthened by Interlock helix tube and blade



Underground Applications

## Feature

### Straight

No liquid pool will be generated in the hygienic straight hose.

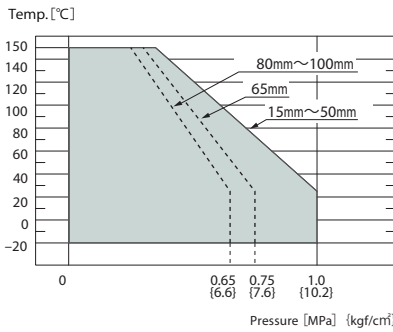
## Intended Purpose

Displacement absorbing in perpendicular angle to the axis / Vibration absorbing.

## Installation site

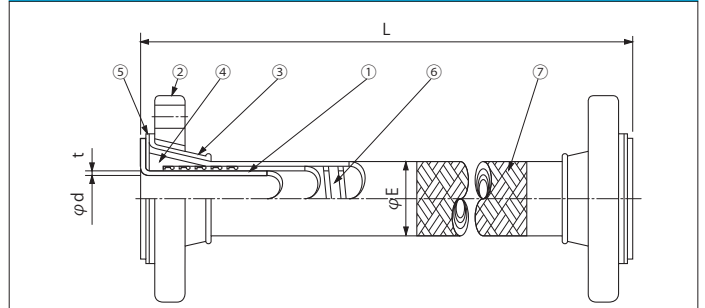
Adherent fluid line / Food production line / Pump circulation.

## Operating Conditions and Performance



● Use after confirmation that maximum operation pressure and maximum service temperature is within the operation range.

## Structure



No.	Parts	Material	No.	Parts	Material
①	Fluoropolymer tube	Fluoropolymer	⑤	Back up gasket	Joint sheet
②	Flange	SS400	⑥	Interlock type spiral tube	SUS304
③	Flange collar	SUS304	⑦	Wire blade	SUS304
④	Taper ring	SS400			

● Special design for buried application is available. ● Both flanges are loose type.

Flange compatible dimension	Standard	JIS10K
	changeable	× JIS5K × JIS10K × Potable water × ANSI
Material	Standard	SS400
	changeable	× FCD450 × SUS304 × SUS316 × Polyvinyl chloride

## Dimensions and Minimum bending radius

Nominal Dia.		Dimension [mm]			Minimum bending radius [mm]	Maximum product length [mm]	
mm	inch	$\phi d$	t	$\phi E$		Minimum	Maximum
15	1/2	17	1.0	25.0	250	150	10000
20	3/4	17	1.0	25.0	250	150	10000
25	1	23	1.2	32.5	300	150	7000
32	1 1/4	34	1.2	46.0	450	200	6000
40	1 1/2	34	1.2	46.0	450	200	6000
50	2	46	1.2	58.5	600	200	6000
65	2 1/2	58	1.5	71.5	700	200	6000
80	3	71	1.5	84.0	900	200	5000
100	4	94	2.0	108.5	1200	200	5000

● Use the flexible joint not less than the minimum bending radius.

This brochure may be revised without prior notice. We apologize in advance for any inconvenience this may cause.

Agent

**TOZEN Corporation**

8-4, Asahi, Yoshikawa  
Saitama 342-0008 Japan

